

Tricycle

R120, R130 & R140 Product Manual



CE




 rifton®

Contents

Warnings and important information	3
Recommended use	4
User and item dimensions	4
Check your order	4
Frame	5
Accessories	
Handlebar and handbrake	6
Communication tray	7
Trunk support system	8
Abductor	9
Front guide bar	9
Maintenance	10
Cleaning	10
Materials	11
User modifications	11

Key for EU users

Use this key to determine which sections of this Product Manual apply to you.

-  **Technical Users** For professionals who order and set up Rifton products.
-  **Home Users** For caregivers who use Rifton products on a regular basis.
-  **Maintenance Personnel** For anyone who is responsible for service or reordering of Rifton products and parts.

WARNINGS

- Thoroughly read and understand the information in this guide before attempting to use this product. If the procedures and instructions in this guide are not followed, serious injury could occur.
- A qualified professional must assess the appropriateness and safety of all equipment for each user.
- Correct use of this product requires the prior approval and ongoing guidance of a qualified therapist or physician.
- This product is intended for use by children of immature judgment. Adult supervision is required at all times.
- Do not use this product on rough and uneven terrain, around swimming pools, or near stairways.
- Straps and supports are provided for the safety of the user and must be carefully adjusted for comfort and security. The use of straps and supports must be supervised at all times.
- Restraints – Using straps, trays or supports to restrict a child’s movement is considered behavioral restraint, which may raise ethical and legal issues for your facility. Rifton Equipment is not intended for this use.
- Tricycles are inherently unstable. All tricycle use must be carefully supervised.
- Rider should always wear shoes and a protective helmet and fasten all safety belts.
- The tricycle may not be appropriate for children with strong involuntary movements, poor body balance, or limited head control.

IMPORTANT

- Please save this Product manual. Additional copies are available at www.rifton.com
- Please refer to the Rifton product catalog for our full warranty, or visit www.rifton.com

Recommended use

The tricycle can be used for recreation and play for children and adolescents with disabilities. Chain drive from pedals to rear wheel offers the following advantages:

- Pedaling is slightly forward of the seat instead of at front wheel as with many other tricycles. This provides a more efficient, comfortable and natural posture.
- Steering is separate from pedaling, reducing the coordination needed to pedal and steer the tricycle.

User and item dimensions

User Dimensions – Inches (cm)	R120 small	R130 medium	R140 large
Inside leg length	17–22 (43–56)	22–28 (56–71)	25–35 (64–89)



Key User Dimension: Inside Leg Length

The extended leg should reach from seat to pedal comfortably when both feet and torso are strapped into place.

Important: User's weight must not exceed the maximum working load. Rifton Tricycles are not intended for children with strong reflexes or poorly developed trunk balance and head control. Consult your child's therapist before ordering.

Item Dimensions – Inches (cm)	R120 small	R130 medium	R140 large
Overall height	37 (94)	40 (102)	53 (135)
Overall length	45 (114)	52 (132)	65 (165)
Overall width	27 (69)	27 (69)	31 (79)
Wheel diameter	13 (33)	15 (38)	19 (48)
Seat center to extended pedal	17–22 (43–56)	22–28 (56–71)	25–35 (64–89)
Gear ratio (approximate)	1:1	1:1	1:1
Item weight – lbs (kg)	47 (21)	56 (25)	65 (29)
Max. working load – lbs (kg)	150 (68)	160 (73)	200 (91)

Tray Dimensions – Inches (cm)	Small	Large
Inside dimensions	8½ x 12½ (22 x 32)	11½ x 13½ (29 x 34)
Max. working load – lbs (kg)	10 (5)	15 (7)

Check your order

This product comes in a single carton containing handlebar assembly, backrest assembly, tricycle main frame, accessories for the tricycle, and this product manual.

You may not have ordered all of the available accessories, but use the diagrams that follow to confirm that your order is complete.

If your shipment is incomplete or in any way damaged on arrival, please call Customer Service, 800.571.8198.

Frame

Attaching the backrest

1. Remove clamp and knob (A) below seat, and remove backrest assembly completely. Turn backrest assembly upright as shown, attach with clamp below seat and tighten knob (A).
2. An additional backrest pad can be attached.

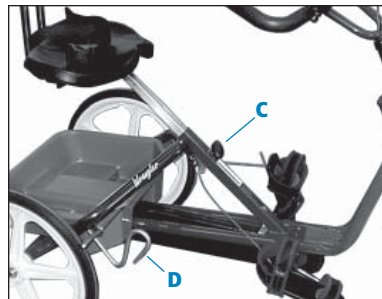
Adjusting the backrest

Backrest adjusts vertically 12" (30.5 cm) above seat with knob (B), and 3½" (9 cm) horizontally with knob (A).



Adjusting the seat

Seat position adjusts vertically using knob (C). A pin at the tip of the knob snaps into holes in seat post. To adjust seat height, loosen knob (C) and move seat to desired position. Then partially tighten knob (C). Moving the seat up and down slightly will engage the pin in the nearest seat post hole. Then tighten knob (C) securely.



Note: Always adjust seat height before the rider is seated.

Operating the parking brake

The parking brake (D) is designed to hold the tricycle stable while the rider is getting on or off. It is for use on flat surfaces only. Brake can be operated by hand or foot.

Accessories

Handlebar and handbrake*

* Hand brake not available on small Tricycle.

Recommended use

The conventional handlebar or the loop handlebar can be used with your Rifton tricycle. The hand brake allows the user to slow and stop the tricycle.

Installing the handlebar

Place handlebar at desired height and secure with knob (A).

Adjusting the loop handlebar

Rotate handlebar toward or away from rider by loosening the two oval knobs (B). Secure in required position by tightening both knobs.

Handlebar adjusts vertically 3 $\frac{5}{8}$ " (9.2 cm) with knob (A).

Adjusting the conventional handlebar

Handlebar adjusts 3 $\frac{5}{8}$ " (9.2 cm) in height with knob (A).

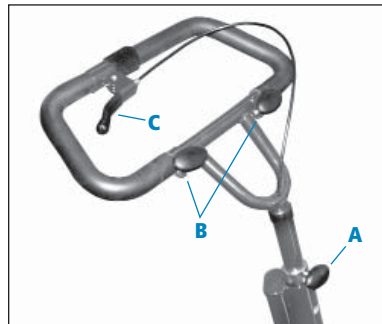
Operating the hand brake

The hand brake (C) allows the user to slow and stop the tricycle.

Loop handlebar ONLY: The hand brake can be positioned anywhere on the loop handlebar using the hook and loop strap provided.



Conventional handlebar



Loop handlebar

WARNING

- This accessory is intended for use on Rifton tricycles only.

Communication tray

Recommended use

The communication tray provides a surface for personal communication devices and other activities. Communication sheets can be placed under the false bottom and electronic devices can be secured to the tray. The tray is easily removed when not in use.

Attaching and adjusting

1. Attach tray to the handlebar by loosening the tray knob (E) and placing it over the handlebar in location shown.
2. Tighten knob (E) while holding the tray at desired angle.
3. To attach a communication sheet, push through holes in bottom of tray to remove cover. Insert sheet and replace cover.



WARNING

- This accessory is intended for use on Rifton tricycles only.

CAUTION

- The tray is not designed to be used as a restraint or for body support.

Trunk support system

Recommended use

The trunk support aids children who have trouble remaining upright while sitting. It can be used to correct excessive leaning toward one side.

Attaching

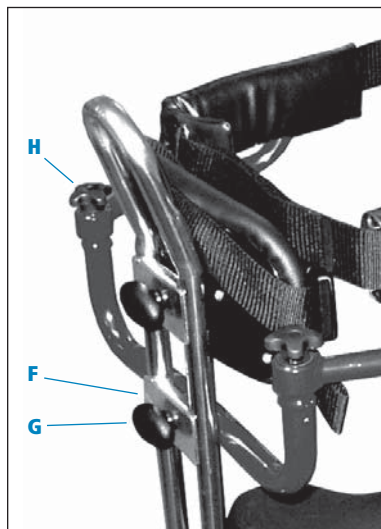
1. Remove large knob (G) and clamp channel (F) from trunk support assembly
2. Place assembly on the backrest tubes in position shown, with the bolt facing the rear.
3. Place clamp channel (F) and knob (G) on bolt and tighten securely.

Note: The trunk support assembly may be placed below the backrest, or for easier adjustment, the backrest may be removed completely.

Adjustments

The arms adjust the width. Rotate toward or away from the rider with two knobs (H).

Height adjusts 12" vertically above seat with knob (G).



WARNINGS

- This accessory is intended for use on Rifton tricycles only.
- Straps and supports are for the safety of the user. The use of straps and supports must be closely supervised. Adjust straps and supports carefully for comfort and security. Straps and supports must never be used in lieu of proper supervision.

Abductor

Recommended use

The abductor is for children who require knee separation or abduction.

Attaching

Place abductor onto tubes with large end of the bracket facing down. Bracket fits snugly onto slanted frame tubes.



WARNINGS

- This accessory is intended for use on Rifton tricycles only.

Front guide bar

Recommended Use

The front guide bar is for the care-giver to assist the user to guide and move the tricycle.

NOTE: The clamp cannot be attached with the handlebar in the lowest position.

Attaching

1. Loosen knob (A) to open clamp.
2. Attach front guide bar to handlebar as shown.
3. Tighten knob (A).



WARNINGS

- This accessory is intended for use on Rifton tricycles only.

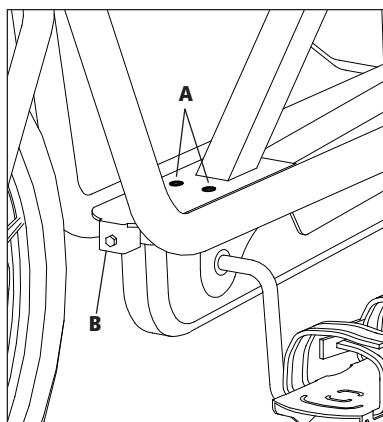
Maintenance

Periodically inspect for cracks, breaks, loose or missing parts, and/or malfunctions. Remove the product from service when any condition develops that might make operation unsafe.

Chain is oiled in factory. If maintenance to chain is required, remove pan by pulling upward on the back of the pan, then remove screw from the side of the chain guard. Retain the screw. Remove chain guard by pulling upward to release from axle. After servicing the chain, the chain guard and screw must be replaced. Snap pan back into place.

Chain tension is factory set. Should it need tightening, do the following:

1. Slightly loosen the two cap screws (A) on top of crank case using a hex head wrench.
2. Use the same size wrench to tighten the cap screw (B) at the front of the plate until slack is removed from chain. Do NOT overtighten.
3. Re-tighten the two cap screws on top of crank case.



Cleaning

Clean upholstery with soap and water or cleaner designed for imitation leather. Web straps can be laundered, but beware of lint sticking to hook and loop. Tray may be washed with mild soap and water. Wash handgrips with soap and water.

Materials

- Steel hardware items (nuts, bolts, screws, etc) are typically zinc or nickel plated, or stainless steel.
- Upholstery items (pads, support blocks, padded prompts, etc) are typically fire-retardant polyurethane foam with a fire-retardant cover made from expanded vinyl.
- Frames are typically steel or aluminum tubing, welded together, and coated with a baked-on paint finish. Some frame components may also be stainless steel.
- Tires are tubeless, filled with polyurethane foam, and do not require inflation.
- Straps are typically made of polypropylene or nylon webbing.
- Wooden components are typically birch plywood, solid maple, or laminated hardwood veneers, finished with a clear polyurethane lacquer.
- Tabletops are typically high-pressure laminate (Formica).
- Plastic components are typically injection molded from a variety of industrial resins.

All materials are latex, lead and phthalates free.

User modifications

We recognize that some clients may benefit from modifications made in the field. However, we cannot be responsible for customer modifications made to our products without our explicit supervision, testing or evaluation.