

Blue Wave Toileting System

E806 & E808 Product Manual



CE




 rifton®

Contents

Warnings and Important Information	3
Recommended Uses	4
User and Item Dimensions	4
Assembly and Adjustment Information	5
Operation	10
Cleaning	14
Maintenance	14
Construction	15
User Modifications	15

Key for EU users

Use this key to determine which sections of this Product Manual apply to your job.

-  **Technical Users** For professionals who order and set up Rifton products.
-  **Home Users** For clients and care-givers who use Rifton products on a regular basis.
-  **Maintenance Personnel** For anyone who is responsible for service or re-ordering of Rifton products and parts.

WARNINGS

- Correct use of this product requires the prior approval and ongoing guidance of a qualified therapist or physician. Adult supervision is required at all times.
- Straps and supports are provided for the safety of the user. Their use must be closely supervised. The straps and supports need to be carefully adjusted for the comfort and security of the user and can never take the place of the caregiver.
- Restraints—Some people use straps, trays or supports to restrict a child's movement. This is a behavioral restraint and may raise ethical and legal issues which you should check with your particular facility. Rifton Equipment is not intended for this use.

IMPORTANT

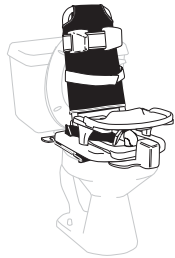
- Please save this Product Manual. Additional copies are available at www.rifton.com
- Please refer to the Rifton product catalog for our full warranty, or visit www.rifton.com

To order replacement parts

1. Locate the serial number of the product on the small white label.
2. Have this number available when you call **800.571.8198** for your customer service representative.

Use only replacement parts supplied by Rifton Equipment.

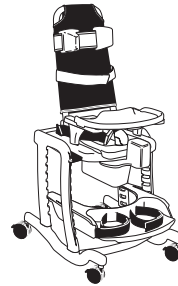
Recommended Uses



Mounted on the toilet, with or without backrest



Over the toilet



Free standing unit and as a shower chair

User and Item Dimensions

User Dimensions - inches (cm)	Small	Large
Height	30-50 (76-127)	48-72 (122-183)



Key User Dimension: Height

The user's overall height is a general guide to help you select the appropriate Chair. Choose the model that allows for growth.

Important: Make sure that seat width, depth, and height are adequate for each individual user and that the user's weight does not exceed the maximum weight recommended.

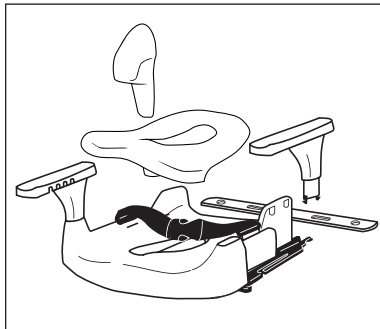
Item Dimensions - inches (cm)	Small	Large
Frame width	20½ (52)	20½ (52)
Seat height above floor	10-20 (25-51)	15½-20 (39-51)
Seat width	12 (30)	front 16 (41) rear 12 (30)
Seat depth	9, 11 (23, 28)	11½, 13¾ (29, 35)
Armrest height above seat	5½ (14)	7 (18)
Hole size	3 x 9 (8 x 23)	4 x 10 (10 x 25)
Hole size (with deflector)	2¾ x 8½ (7 x 22)	3½ x 9½ (9 x 24)
Clearance to floor (for over toilet)	19 (48)	19 (48)
Back height	24 (61)	Low Back 18 (46) High Back 34 (86)
Max. working load - lbs (kg)	180 (82)	180 (82)

Assembly and Adjustment Information



Deflector, Armrests, Hip Strap

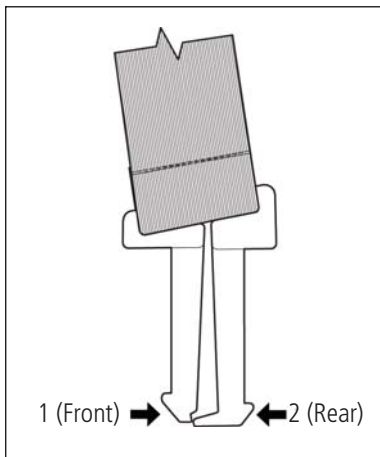
The Deflector/Seat cover simply inserts into the seat aperture and can be easily removed for cleaning. The Deflector for the Large Seat is separate from the Seat Cover, and is inserted into the front end of the Seat Cover. It should be removed prior to the user being moved off the Toilet. The Seat Cover should not be used without the Rifton Toilet Seat.



The Armrests fit into the oval slots on the side of the Seat. They should be pushed fully down so that they clip in securely. To release, squeeze the clip under the seat. To get more support at the elbows, simply swap positions of the right and left Armrests, and rotate them to keep the four Armrest slots facing in. The Armrests for the Small Seat and those for the Large Seat are not interchangeable.

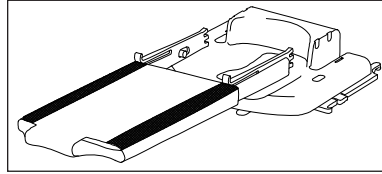
To release the Hip Strap Clips

To remove the hip strap, the clips that attach the strap to the seat must be disengaged. Reach under the seat to release each clip. Push the front half of the clip first, then the rear half. The clip will then come out. To reinsert, push down firmly until you hear it click into place. Pull on the strap to check that it is secure.



Fitting and Removing the Back

Place the back horizontally front side down, hook and loop fastener and triggers up. Pull the blue cover part way off the frame. Now pull the two free ends of the frame apart. Place the pivots of the back into one of the two sets of holes in the seat. Push the cover back on. To remove the back, reverse the procedure.



Adjusting the Seat depth

Your Rifton Toilet Seat has two settings of seat depth: 11½" (29 cm) and 13¾" (35 cm) for the Large Seat, and 9" (23 cm) and 11" (28 cm) for the Small Seat. To alter the setting, remove the back and place it in the other set of holes (see above).

Using the Seat Pivot Block (Large Seat Only)

When Positioning the back in the front holes, slide the seat pivot block all the way toward the rear before raising the back into position (see Figure 6b).

When positioning the back in the rear holes, slide the seat pivot block all the way toward the front before raising the back into position (see Figure 6c).



Figure 6b



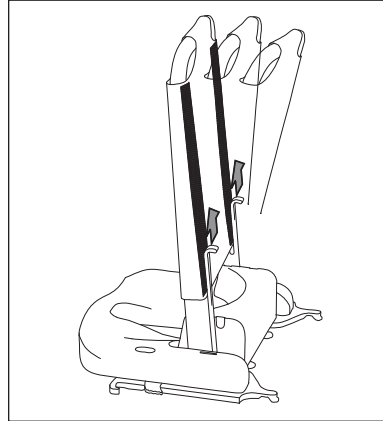
Figure 6c

Adjusting the Back angle

Lift the two triggers to tilt the Back (see arrows). There are three tilt positions: 5° and 15° backward, and 5° forward. In these positions, the triggers “click” fully into slots, making the adjustment positive. Do not use any other tilt positions.

Tilt the back all the way forward to make the item convenient for storage.

NOTE: some tilt positions may not be obtainable when the seat is mounted on the frame, or on certain kinds of toilet.

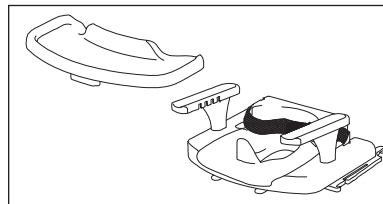


Casters

The corrosion-proof casters lock by depressing the lever on the caster (see page 14 for cleaning and maintenance information).

Anterior Support

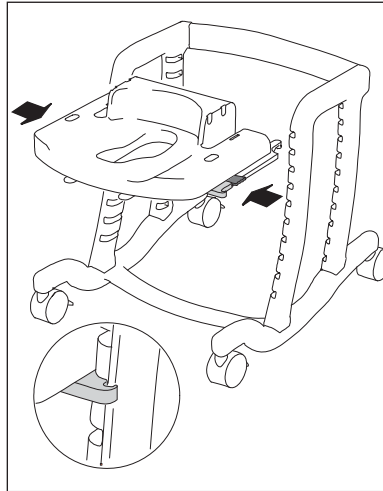
The Anterior Support mounts onto the armrests of the Toilet Seat. There are four positions for the latches to engage. The latch handle is placed underneath the Anterior Support. Pull the handle to release. To position the Anterior Support closer to the user, simply swap positions of the right and left Armrests, and rotate them to keep the four adjusting slots facing in.



Fitting the Seat to the Frame (With or without the backrest)

The inside of the Frame has several sets of slots. These provide the height adjustment for the Seat and the Footboard. The Seat assembly slides into one set of these slots. Do not use the Seat unless completely latched in place. Latches (see arrows) on both sides of the Seat will “click” in, and the hooks at the front of the Seat will be snug against the rounded front of the Frame (see inset).

To remove the Seat, press the latches inward.

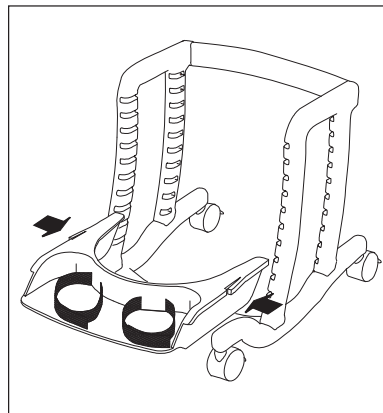


Footboard

The Footboard slides into the same slots as the Seat. The Footboard has similar latches (see arrows) to those of the Seat, and must be pushed completely in before use.

The Footboard Straps can fit all users. To shorten, cut the free end (away from the sewn end) as required. Extra slots in the Footboard provide a choice of positions for the Straps.

To remove the Footboard, release the latches by pressing them inward.



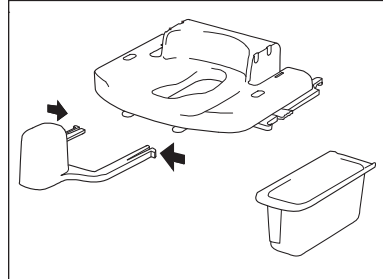
⚠ CAUTION

The Footboard is not a step.

Abductor and Pan

The Abductor fits on the front of the Toilet Seat, by sliding it into the guides beneath the seat. Push it fully in, so that it "clicks" into place. To release, push the triggers of the Abductor inwards (see arrows).

The Pan slides into the same channels, from either the front or back. When using the Abductor, slide the Pan from the rear.

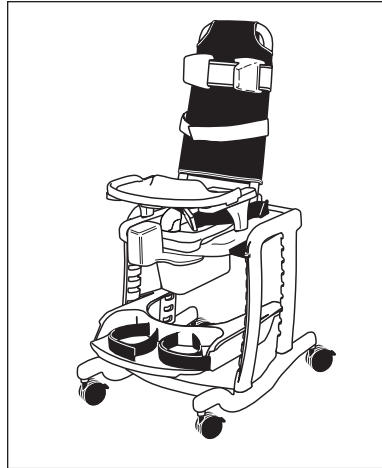


Operation

Free Standing

The Seat height can be adjusted so that the user's feet are on the floor or on the Footboard. The Pan is placed under the Seat by inserting it into the slides underneath the Seat from the front or from the rear. The lowest position of the Seat is the third slot from the bottom. The lowest position of the Large Seat with Armrests is the fourth slot from the top.

The plastic materials used in the Blue Wave Toileting System and its compact size make it ideal for use as a **Shower Chair**.



Over the toilet

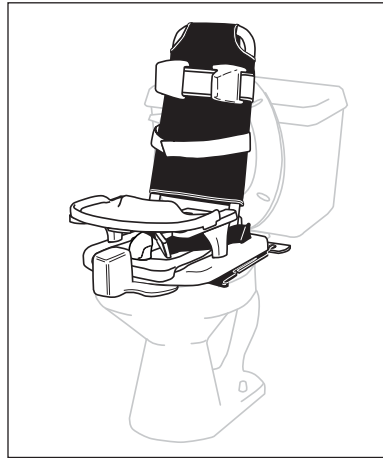
Raise the seat and lid of the toilet. Adjust the height of the Rifton Toilet Seat to just clear the top of the toilet. Place the Footboard (if required) In the slots that will give the correct feet position. Roll the chair backwards over the toilet as far as it will go. Lock the caster brakes.



Mounted on a toilet

The Mounting Bar is permanently attached to the toilet, but does not affect normal use of the toilet. The Mounting Bar facilitates quick, secure, tool-free mounting of the Rifton Toilet Seat. The Rifton Toilet Seat can be easily removed and with the Backrest folded down, stored when not in use.

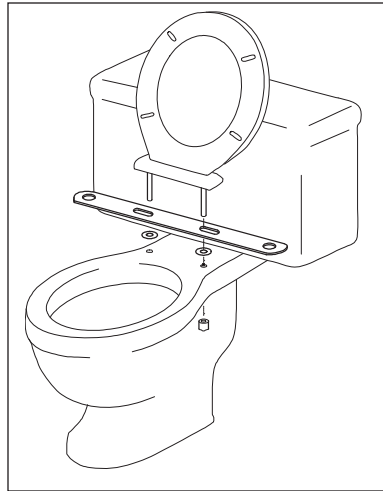
More Mounting Bars may be purchased for use on other toilets.



Attaching the Mounting Bar to the toilet

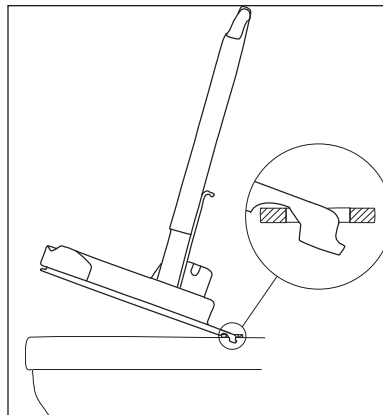
Unscrew the nuts under the toilet bowl rim, which hold the toilet seat and lid to the toilet bowl. Remove the seat and lid.

Place two of the rubber washers provided with the Mounting Bar (the third is a spare) over the two holes in the toilet bowl. Place the Mounting Bar over the washers with the safety label face-up. Replace the seat and lid with the bolts going through the holes in the Mounting Bar, the washers, and the holes in the toilet. Replace the nuts and tighten firmly.

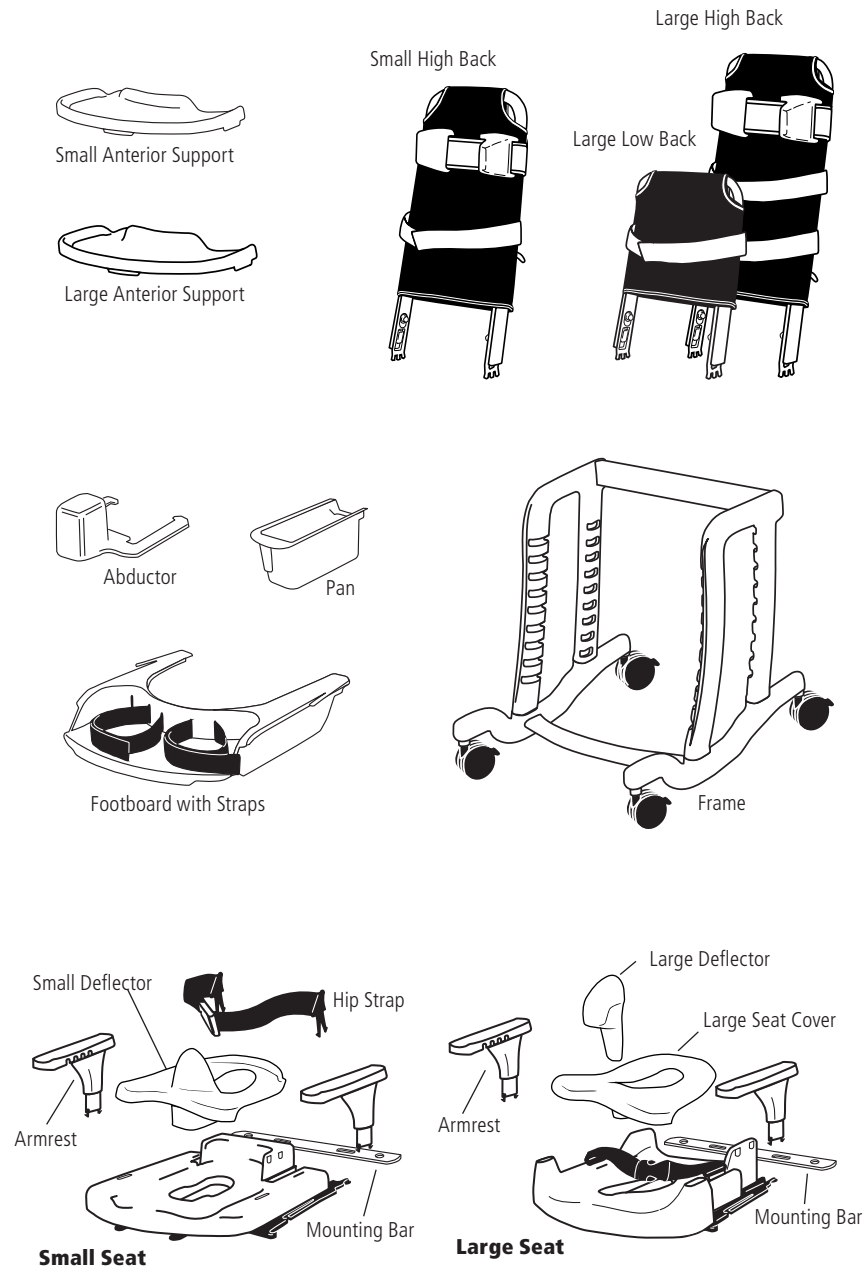


Mounting the Rifton Toilet Seat on the Mounting Bar

Adjust the Back to the forward leaning position. With the front of the seat facing towards you, and tilted up, hook the plastic hooks at the back of the Seat into the holes in the Mounting Bar. Lower the front of the Seat to the toilet bowl. Check that the hooks are fully seated in the holes.



Components of the Rifton Blue Wave Toileting System



WARNINGS

- The Rifton Toilet Seat is recommended for use in conjunction with domestic or institutional toilets of sturdy construction* and in good condition. Check your toilet bowl and seat bolts for age or wear before attaching the Mounting Bar. Replace parts if necessary. Make periodic checks.
- Always check that the seat is mounted firmly before placing the user in the seat

* Equipment should comply with the following standards: ANSI A112.19.2M (Toilet Bowls, USA), and ANSI Z124.5 (Toilet Seats, USA), or BS 5503 (Toilet Bowls, UK), and BS 1254 (Toilet Seats, UK)

Maintenance 🧰

Periodically inspect for cracks, breaks, loose parts, missing parts, and/or malfunctions. Remove the product from service when any condition develops that might make operation unsafe. Inspect also the toilet, seat bolts and nuts when using the Mounting Bar (see Page 13 for Warnings).

Cleaning 🧑🏠 🧰

The Rifton Blue Wave Toileting System is designed with cleaning in mind. All the components can be removed and cleaned, or the whole item can be placed under the shower.

Plastic Parts may be cleaned using soap, toilet cleaner or bleach, and warm water. Do not boil or autoclave.

Casters will give the best performance if cleaned regularly by spraying from underneath with a high-pressure water hose. Do not use chemicals or lubricants.

Water entering the seat cavity may be tipped out of the pivot holes.

Distortion of the shape of the deflector can be corrected by immersing it in very hot (not boiling) water.

Standard Fabric: Parts may be washed and dried at a warm setting. Use normal detergents or disinfectants.

Soft Fabric: Parts may be machine washed at 100° F (40°C). Tumble dry at low heat.

Engage hook and loop before washing. **Do not iron.**

Construction

The Rifton Toileting System Frame is constructed of sturdy molded plastic.

The Standard back cover is a reinforced vinyl mesh. The safety restraints (straps) are made of sturdy polypropylene webbing.

The Soft back cover and Straps are polyester knit mesh.

Straps are attached using nylon hook and loop fasteners.

- All materials are latex-free.
- All hardware is stainless steel.

User Modifications

We recognize that some clients may benefit from modifications made in the field. However, we cannot be responsible for customer-modifications to our products without our supervision, testing, or evaluation.